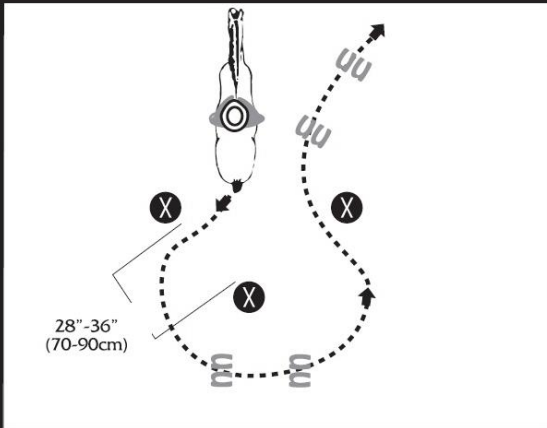
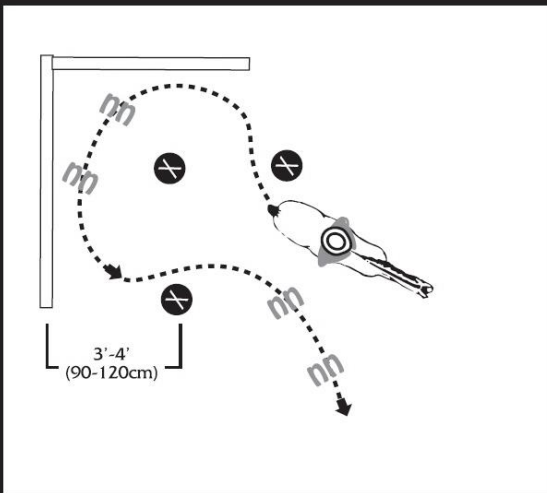
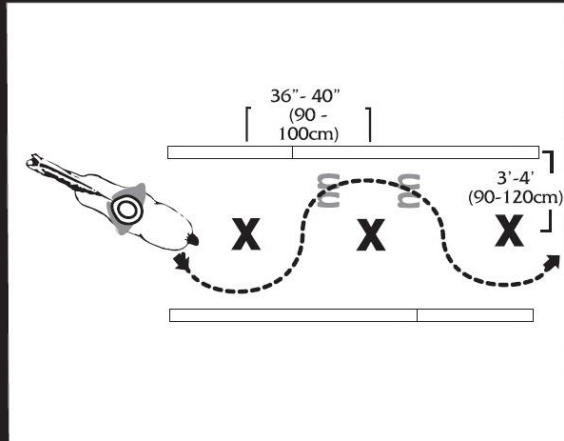


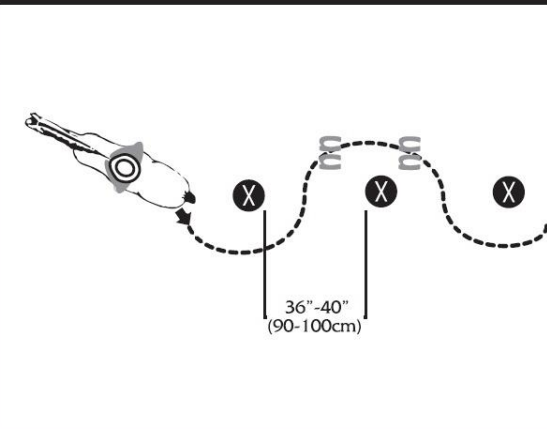
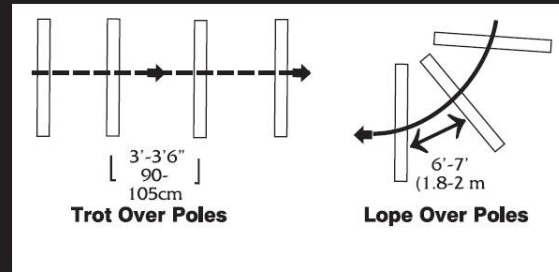
## Back Through and Around Three Markers



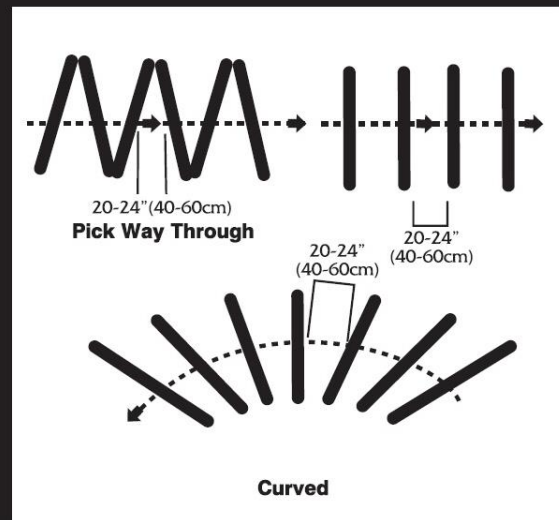
## Back Through and Around Three Markers



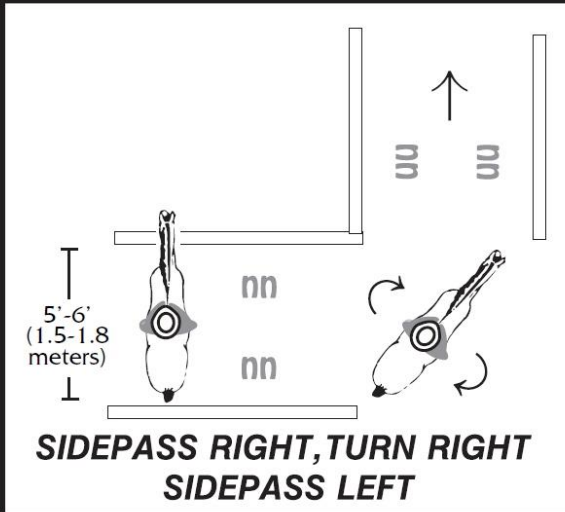
## Trot Overs, Lope Overs



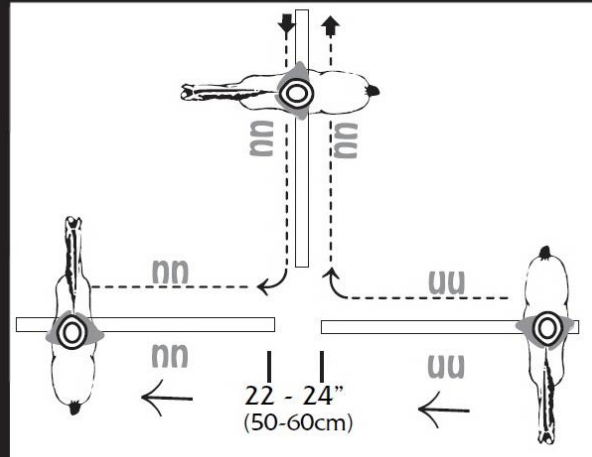
## Walk Overs



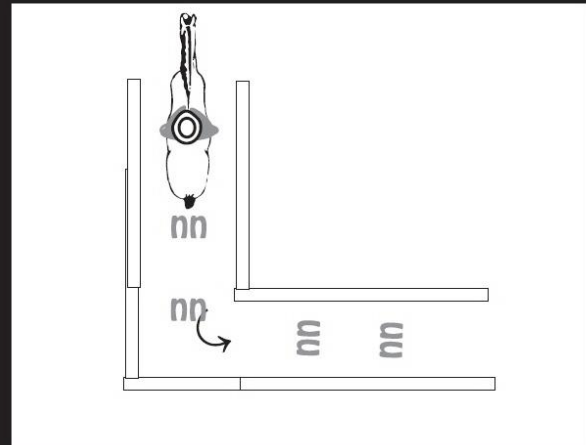
## Variations of Sidepass



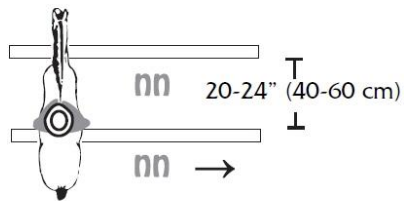
## Variations of Sidepass



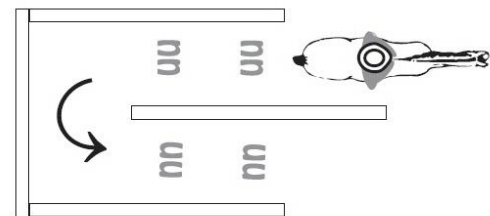
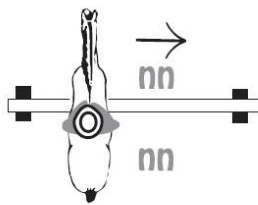
## Variations of L Back Through



## FRONT FEET INSIDE OR BACK FEET INSIDE

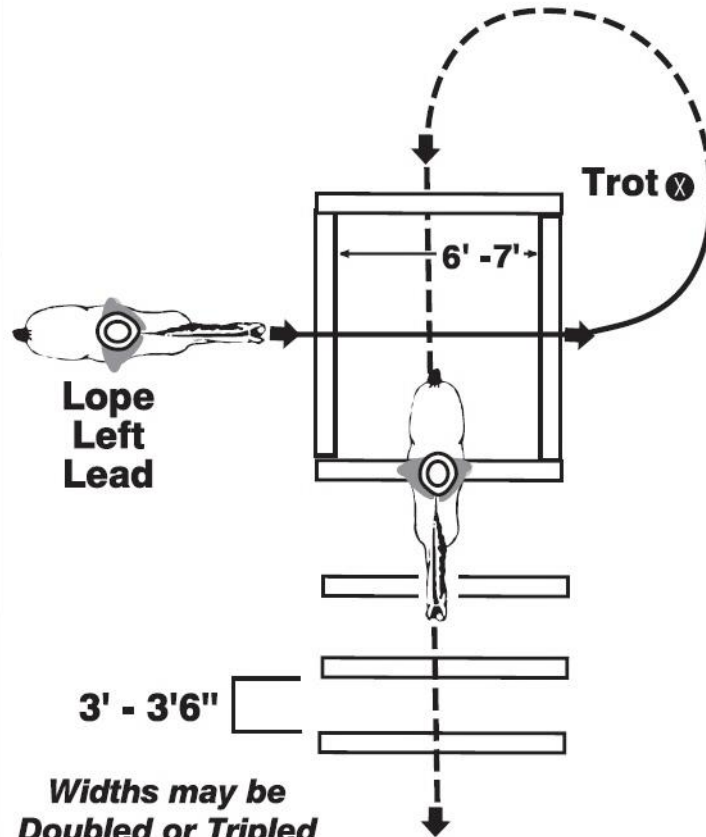


## RAISED OBJECT no more than 12" (30 cm)



# Trot Overs, Lope Overs & Walk Overs

Can use  
Walk Overs, Trot Overs  
& Lope Overs in One Class



*Widths may be  
Doubled or Tripled  
to allow for more  
than one stride  
between poles.*